

# 01 36V2A

E-scooter/E-bike Charger

MODEL:C80

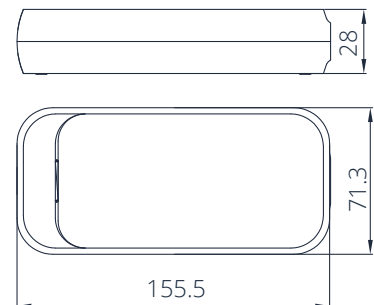


UL62368-1, TUV EN62368-1, EN55032 /EN55035 FCC PART 15B, J62368-1(2020), J55032(H29):J3000(H25), EN60335-2-29.

## FEATURE

- ▶ Charger for Li-Ion batteries(lithium iron, lithium manganese and Li-NiCoMn)
- ▶ **AC input range:** 90VAC~264VAC 50/60HZ, 2.0A
- ▶ **Efficiency:** >89% @230VAC 100% Load
- ▶ **Protections:** Short circuit/Over voltage/Over power/reverse polarity/No spark
- ▶ **Operating temperature:** -20~40°C(-4°F~104°F)
- ▶ Fanless design, cooling by free convection
- ▶ Fully enclosed plastic case                      ▶ **Weight:** 0.38kg

## SIZE



## Model list

Model	Rated output voltage(VDC)	Rated output current(A)	Max.output power(W)
C80-VxxxAyy	12.0-16.8	1.0-4.0	67.2
	24.0-29.4	1.0-3.0	88.2
	36.0-42.0	1.0-2.0	84.0
	48.0-54.6	1.0-1.5	81.9

**Note:**

"xxx"=120-168 or 240-294 or 360-420 or 480-546stands for rated output voltage 12.0-16.8VDC or 24.0-29.4 VDC or 36.0-42.0VDC or 48.0-54.6VDC with step of 0.1V;  
 "yy"=10-40 stands for rated output current 1.0-4.0A with step of 0.1A.