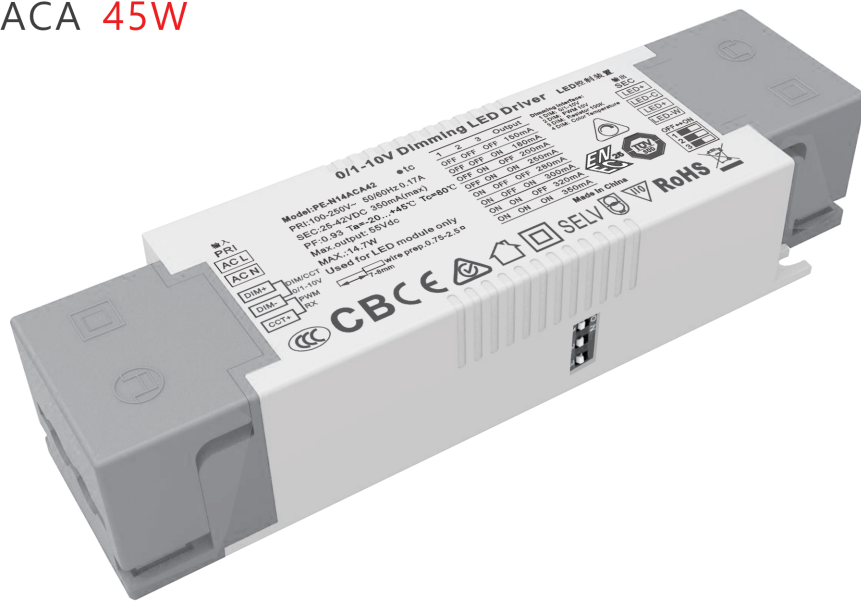
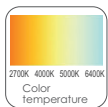


PE-N30ACA 30W  
PE-N45ACA 45W

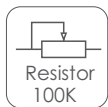


[ 5 years ]     **RoHS SELV CE Class 2**



0-10V  
DIM

1-10V  
DIM



### Features:

1. Integrate multiple dimming and color matching interfaces
2. 0-10v/1-10v adaptive
3. Digital control output is adopted, and there is no stroboscopic
4. International general AC input 100-250V range
5. Natural air cooling, moisture-proof, heat conduction and silica gel heat dissipation process
6. Deep dimming design
7. Multiple protection functions
8. Output fast voltage terminal, safe and convenient
9. Crimping design, convenient and fast
10. 8 gear current selection

### Application:

1. Led two-color light source
2. Villa intelligent lighting
3. Wireless intelligent lighting system can be accessed
4. Museum lighting

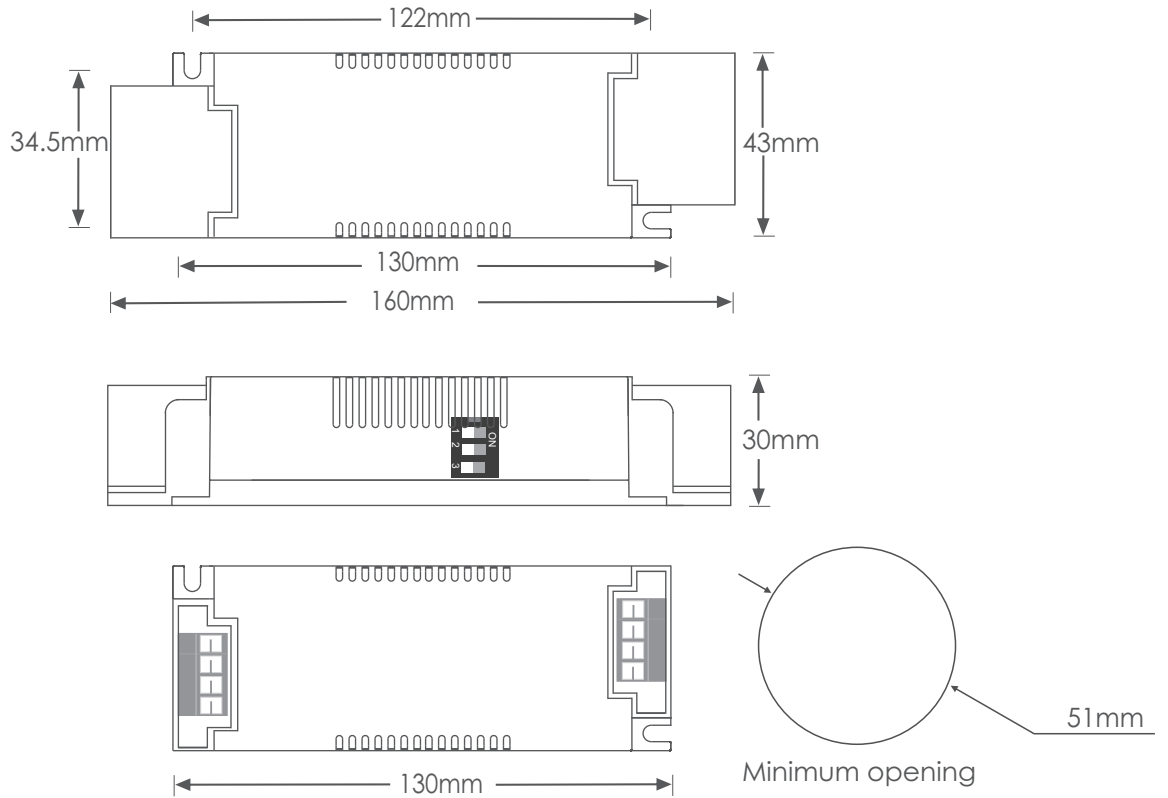
### General description:

1. It adopts two-way signal control, one way to control brightness and the other way to control color temperature. The raw materials used are first-line brands and imported chip ultra deep dimming design, which matches a variety of intelligent dimming systems on the market. PWM dimming output controls LED brightness and accurately controls color temperature. Silicone heat conduction process is adopted internally, and the heat balance of electronic components is more stable

## Specification:

Model		PE-N30ACA42	PE-N45ACA42
OUTPUT	Output Voltage	25-42Vdc	25-42Vdc
	Max Output Voltage	42Vdc	42Vdc
	Non-load Output Voltage	53Vdc	53Vdc
	Output Current	350/400/450/500/550/600/650/700mA	700/750/800/850/900/950/1000/1050mA
	Output Power	8.75W~29.4W	17.5W~44.1W
	Strobe Level	Flicker free	
	Dimming Range	0 ~ 100%, LED dimming from 0.03%	
	PWM Dimming Frequency	>3600Hz	
	Current Accuracy	±3%	
	Power down mode	Active signal, no signal access, output the maximum set current	
INPUT	Dimming Interface	0-10V 1-10V 10vpwm 100k potentiometer signal interface current < 0.1mA	
	Input Voltage Range	100-250Vac	
	Frequency	50/60Hz	
	Input Current	<0.3A ac110v	<0.5A ac110v
	Power Factor	PF>0.99/100V	PF>0.99/100V
	THD	230Vac@THD <10% (at full load)	
	Efficiency(typ.)	87%	88%
	Inrush Current(typ.)	cold start20A@230Vac	cold start20A@230Vac
	Anti Surge	L-N: 2kV	
	Leakage Current	<0.25mA/230Vac	
ENVIRONMENT	Working Temperature	ta: 45°C tc: 80 °C	
	Working Humidity	20 ~ 95%RH, non-condensing	
	Storage Temp., Humidity	-40 ~ 80°C°, 10~95%RH	
	Temp. Coefficient	±0.03%/°C(0-50)°C	
	Vibration	10~500Hz, 2G 12min./1cycle, period for 72min. each along X, Y, Z axes.	
PROTECTION	Over-heat Protection	Intelligently adjusting or turning off the output current if the PCB temperature ≥110°C, , auto recovers.	
	Over Load Protection	Shut down the output when rated power≥102%, auto recovers.	
	Short Circuit Protection	Shut down automatically if short circuit occurs, auto recovers.	
	Non-load Protection	output Constant Voltage.	
SAFETY & EMC	Withstand Voltage	I/P-O/P: 3750Vac	
	Isolation Resistance	I/P-O/P: 100MΩ /500VDC/25°C/70%RH	
	Safety Standards	IEC/EN61347-1, IEC/EN61347-2-13	
	EMC Emission	EN55015, EN61000-3-2 Class C, IEC61000-3-3	
	EMC Immunity	EN61000-4-2,3,4,5,6,8,11, EN61547	
	Strobe Test Standard	IEEE 1789	
OTHERS	Dimension	160(130)×43×30mm(L×W×H)	
	Packing	PE bag	
	Weight(G.W.)	245g±10g	
Remarks	<p>1. Conventional products are controlled by one way of brightness adjustment and one way of color temperature adjustment. Some intelligent systems in the market are controlled by two ways of brightness adjustment to mix color. Special instructions are needed, and our company has corresponding procedures</p> <p>2. The measured parameters are carried out under the input 230V AC environment of 25 degrees</p> <p>3. Constant current power supply, in the non dimming state, the output current is the maximum set value</p> <p>4. The voltage connected to the lamp shall be within the marked voltage range of the power supply</p> <p>6. This product adopts heat conduction silica gel heat dissipation process to balance the internal temperature and ensure the safety and reliability of the product</p> <p>7. Test distance of signal line: 1.5 square shielded wire, 200m with 20 power supplies. Due to the distance factor, the distance is lengthened, and the number of controls will be reduced</p>		

**Dimensions :**



**Product Label:**

Product labels for PE-N30ACA42 and PE-N45ACA42 models, including input/output specifications, dimming interface options, and safety certifications.

**LED Current Selection:**

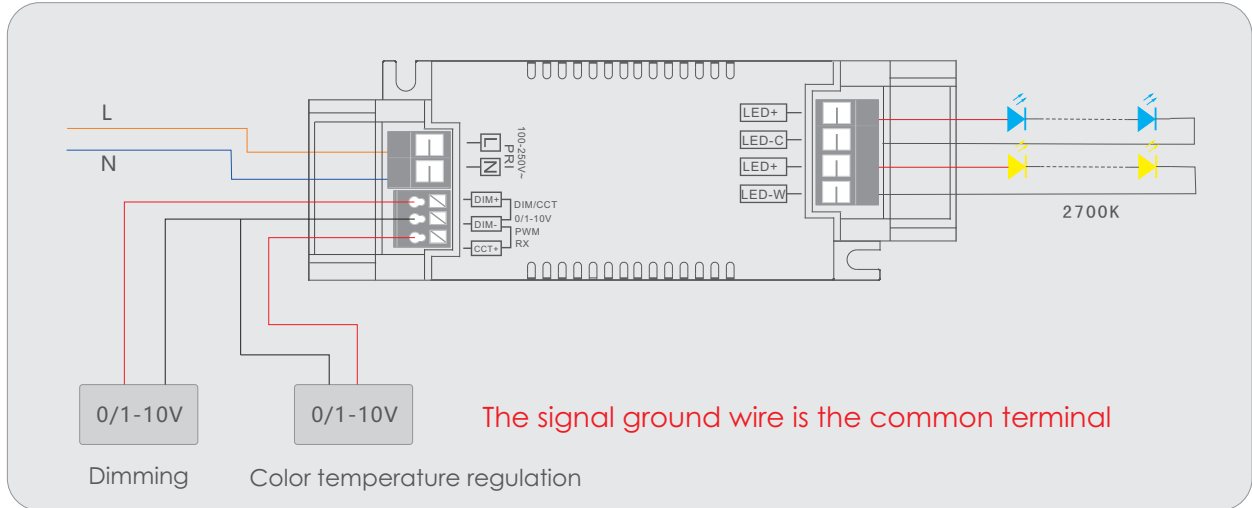
DIP switch for 8 optional currents' quick selection( see the table below ).

Model	DIP Switch									
PE-N30ACA42	Output current	350mA	400mA	450mA	500mA	550mA	600mA	650mA	700mA	OFF ← → ON 
	Output voltage	25-42V	25-42V	25-42V	25-42V	25-42V	25-42V	25-42V	25-42V	
	Output power	8.7W-14.7W	10W-16.8W	11.2W-18.9W	12.5W-21W	13.7W-23.1W	15W-25.2W	16.2W-27.3W	17.5W-29.4W	
PE-N45ACA42	Output current	700mA	750mA	800mA	850mA	900mA	950mA	1000mA	1050mA	OFF ← → ON 
	Output voltage	25-42V	25-42V	25-42V	25-42V	25-42V	25-42V	25-42V	25-42V	
	Output power	17.5W-29.4W	18.7W-31.5W	20W-33.6W	21.2W-35.7W	22.5W-37.8W	23.7W-33.9W	25W-42W	26.2W-44.1W	

After current setting by DIP switch, power off and then power on to make the new current effective.

E.g. LED 3.2V/pcs: 9-24V can power 3-7pcs LEDs in series, 25-42V can power 7-12pcs LEDs, the max quantity of LEDs in series will be subject to the actual voltage of LED.

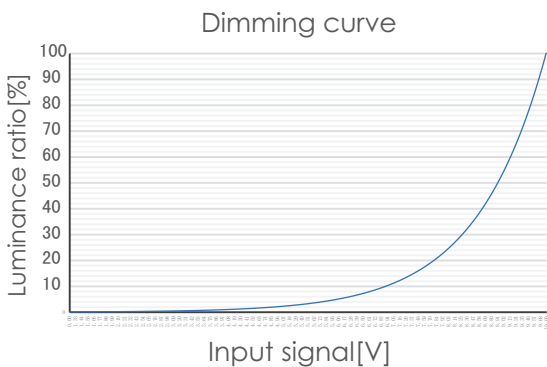
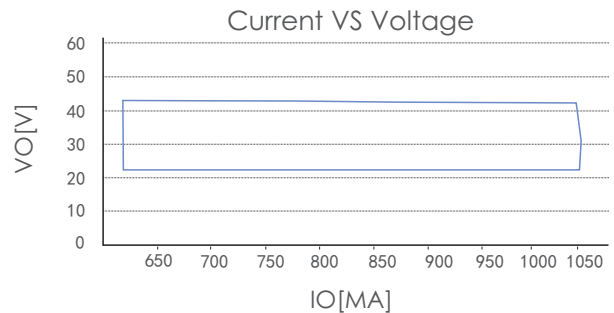
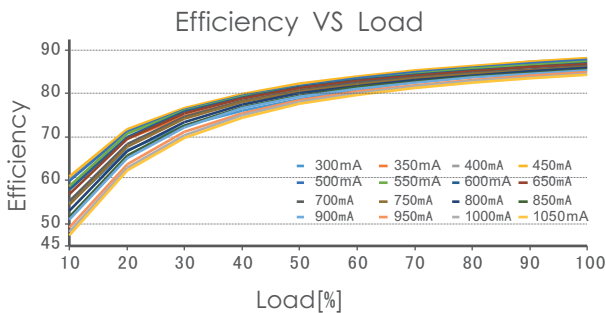
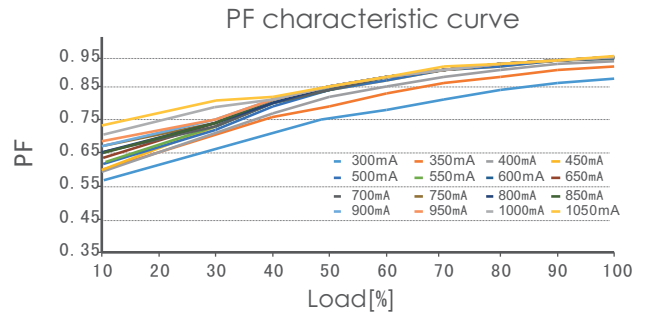
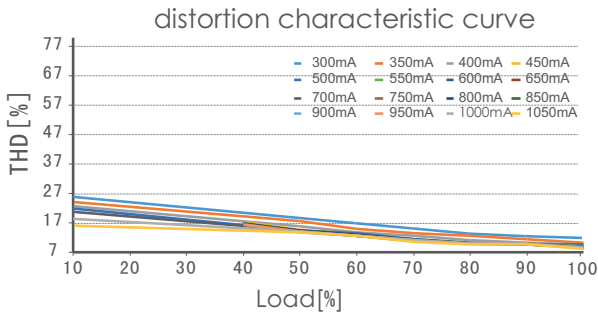
## Connection:



## Wiring:

1. Signal interface: 0-10V is connected. The PWM signal line needs to be divided into positive and negative poles. The variable resistance does not need to be divided in direction.
2. Input terminal wiring: suitable for wire gauge 22awg-14awg (0.5mm<sup>2</sup> – 1.5mm<sup>2</sup>), stripping requires 9-10mm tin
3. Output terminal wiring: suitable for wire gauge 22awg-12awg (0.5mm<sup>2</sup> – 1.5mm<sup>2</sup>), stripping requires 6-7mm tin
4. Output terminal wiring: the positive pole of the output LED is the common terminal, and the three wire led can be connected to one of the positive poles.

## Relationship Diagrams:



## The use of guidance:

The input end of the product is provided with an input line pressing cover with self-locking clamp. Use a slotted screwdriver to evenly force upward and slowly tilt it open to expose the input terminal, connect AC live line L and zero line n, and connect the output terminal according to the product identification. Pay attention to the positive and negative poles. Note

1. When using this power supply, please pay attention to distinguish the input end and output end. Please wire correctly and power on only after checking. Note
  2. Please connect the load at the DC output first, confirm it is correct, and then turn on the power supply; In the constant current mode, if the open circuit is powered on, please turn off the power supply and connect the LED after the electric energy stored at the output end is released, otherwise the LED may be burned out. Note
  3. This power driver is only used for LED lamps. The input voltage range of the product is AC 100-265V. When it is used within the specified output voltage and current range, the ambient temperature is -20 to +45 °C, and the surface cannot be covered with thermal insulation cotton and other items that block the heat dissipation of the product. Under the environment that meets the service conditions of the product, this product enjoys a five-year free warranty.
- Solutions to common problems during use:
1. The product does not work when powered on:
    1. Check whether the pressure wire is connected properly, press the pressure wire terminal again,
    2. Whether the positive and negative poles of the LED lamp are correct,
    3. Whether the input and output are connected incorrectly.
    4. Check whether the signal wire is short circuited (whether the signal lamp can be turned on when disconnected)
  2. Power on flash lamp: 1. If the lamp flashes, please check whether the voltage of LED lamp is within the power supply voltage range
  3. No color mixing temperature or brightness adjustment: 1. Please check whether the signal line is connected or short circuited. 2. Only brightness can be adjusted, not color mixing temperature. Please check whether the system is a two-way system that adjusts brightness, temperature and color at the same time
  4. Since the power supply is controlled by low-voltage line number, shielded signal lines shall be used as much as possible in the actual use to ensure the control quantity and distance

## Difference between 0-10V and 1-10V:

1. When the 0 / 10V dimmer is adjusted to the maximum 10V, the output current will reach 100% of the power output, and the brightness will reach 100%. When the 0-10V dimmer is adjusted to 0V, the current will be the minimum, and the light will be turned off; When the 1-10V dimming is adjusted to 1V, the current is the minimum and the light is off.
2. Difference between 0-10V and 1-10V dimming: different starting and closing voltage, 0-10V is on at 0.7V, (the min brightness) 1-10V is on at 1.2V (the min brightness).
3. Digital dimming driver 0-10V and 1-10V dimming automatic identification two dimming modes.
4. The same signal circuit controls light and dark at the same time.
5. Dimmer (dimming system) is divided into 0-10V and 1-10V dimming signals.
6. Dimming compatibility is related to the control distance of signal line and the number of control power supply. If the number is too large or the signal line is too long, problems such as can not adjusted lower and can not adjusted off will occur.